

OUTDOOR SWING TURNSTILE

MODEL: MT343



Product introduction

Mairs Turnstile has a wide range of turnstiles to suit any pedestrian requirement including wheelchair accessibility. security waist height turnstile is a smart access control security system. It offers a reliable and efficient method to ensure only authorized users are allowed access to each area of a building.

The slim turnstile gate is sleek and elegant design gate. It controls the people enter or exit the restricted area. The casing is made of high quality brushed 304 stainless steel which is robust, rigid and anti-rust and durable.

The mechanism uses cutting edge technology to min the size but ensure the high performance. They are also equipped with famous brand DC brushless motor and sophisticated sensor. Any attempt to bypass the turnstile will be detected and an alarm will sound to alert nearby guard staff.

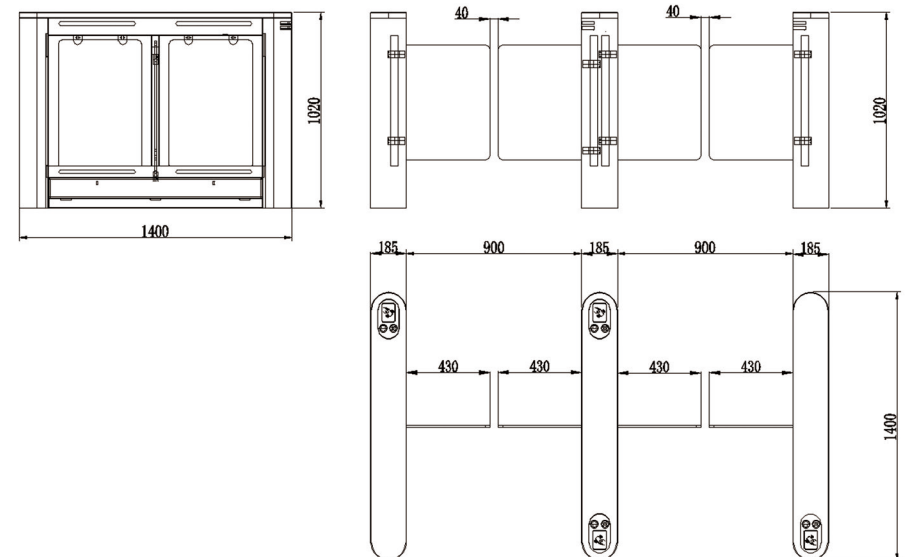
It has a standard relay output, which can be easily integrated with all kinds of third part access control system. The high speed fingerprint reader swing barrier gate can be integrated with various credential, such as facial recognition device, fingerprints, QR reader & RFID systems, IR thermometer. There are many benefits of having access automatic barrier gate. These are extra layers of security to help with crowd control or prevent the opportunist thief from entering your business or residential premises.

It comes with 5 pairs infrared sensors to ensure the security of passage at high throughput. The reasonable design and high configuration is to ensure the gates can move quickly and accurately, stably and quietly; with low-power consumption, energy conservation and environment protection.

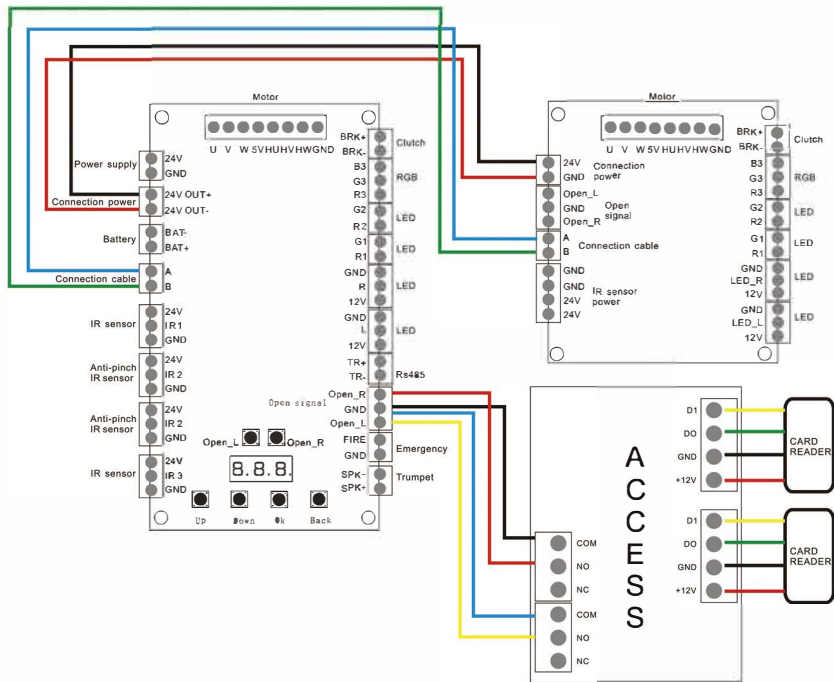
Technical Parameter

| | |
|-----------------------|---|
| • Size | 1400*185*1020mm (can be customized) |
| • Material | 1.2mm SUS 304 Hairline Body +1.5mm Top Cover SUS 304 Hairline |
| • Arm material | 10mm Acrylic |
| • Pass Width | standard 600mm max 900mm |
| • Passage direction | Single directional/Bi-directional |
| • Pass rate | 30-35 persons/minute |
| • Operating time | 0.2 seconds |
| • Power input | AC100-240V,50/60HZ |
| • Working voltage | 24V |
| • Working humidity | 30%~95% |
| • Working temperature | -40°C~+70°C |
| • Working environment | outdoor |
| • Input interface | RS485, Dry Contact Relay |
| • Mechanism | DC Brushless motor |
| • Infrared sensor | 5 pairs |
| • MCBF | 3,000,000 Cycles |
| • Feature | LED can be added on arms |
| • Application | Office Building, Hotels, Government Halls, etc |

Dimension of Turnstile



Wiring diagram



Access Control System



Feature

- LED ALERTS** Indicate traffic direction with highly-visible green arrows and red X icons. It achieves real-time displaying which improves the passing rate and convenient maintenance.
- EMERGENCY EXIT** Functionality allows free passage in the event of an emergency or power outage, automatic reset when power is restored.
- WORKING DIRECTION** Single directional or Bi-directional is optional.
- AUTOMATIC RESET** Arms will lock automatically within 5s (adjustable) if a person delays access.
- ANTI-COLLISION** When the gates instantaneously encounter an impulse force that is beyond the safety range, the arm will automatically reset in place. The mechanism will not be damaged at all.
- ANTI-PASS BACK** The turnstile will alarm and red light will flash if someone wants to enter in the reverse direction.
- ANTI-TRAILING** The gate will alarm if more than one person passes by without permission.
- ANTI-INTRUSION** The gate will auto alarm and red light will flash when an unauthorized person gets in.
- FAST UNLOCK** When there is a valid signal, the gate will unlock within 0.2s.
- ANTI-HIT MECHANISM** If someone hits the arm, it will open to release the force and reset automatically.
- ARM LED LIGHT** LED on arms is an optional function.
- HIGH PERFORMANCE** Long service life with low operational cost.

Packaging



01
Packed in protective film and pearl cotton



02
Packed in carton



03
Packed in standard export wooden cases