

M Series Turnstile



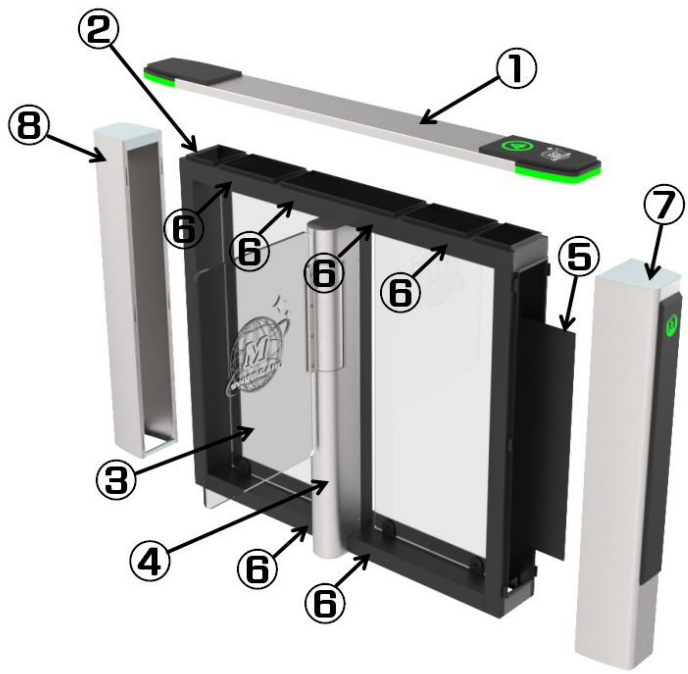
M series speed gate MSG100

Skeleton structure: more secure

Chassis: a snap-fastener structure, easy to install

Top Lid: hidden screw, more stable and higher security

- ① Top cover
- ② Framework
- ③ Acrylic swing arm
- ④ Mechanism
- ⑤ Fixing board for mainboard
- ⑥ IR sensors (6 pairs)
- ⑦ Front post
- ⑧ Rear post



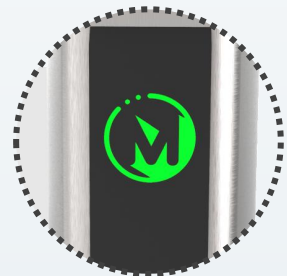
**M Series Logo
Support customization**



**M Series Direction Indicator
M Series Swipe Card Logo**



**Framework structure,
more sturdy**



Lane Status Indicator



**Outside fixing holes
for easy installation**



**Snap-in design for
easy installation**



Technical Specifications

Gate Dimension	1420*180*990mm (4.66*0.59*3.25ft) (standard)
Gate Material	SUS 304 and powder coated
Swing arm Material	Acrylic swing with LED (standard), Tempered glass
Passage Width	600mm (1.97ft) - 900mm(2.95ft)
Power Supply	100V-240V 50/60Hz
Operational voltage	DC 24V ±5%
Voltage of indicator lamp	DC12V ±5% (standard)
Mechanism	Anti-pinch mechanism with brushless motor
MCBF	5,000,000 Cycles
Passage direction	Unidirectional/Bi-directional
IR sensor	6 pairs
Open Signal	Passive Relay (Dry Contact)
Communication	RS485/RS232
Passing speed	40 persons/min
Working Temperature	-40°C ~ 70°C
Working Environment	Indoor

Feature

- **LED ALERTS** Indicate traffic direction with highly-visible blue, green and red. The front LED will keep blue shows that the lane is available. If the lane is not available, it can modify to be red.
- **LANE STATUS LED** If the access is granted, the LED will be in green. In standby, the LED is blue. If denied access, the LED flash red.
- **ALARM FUNCTION** Infrared sensor alarm function, in case of illegal intrusion and reverse intrusion.
- **EMERGENCY EXIT** The function allows free passage in the event of an emergency or power outage, automatic reset when power is restored.
- **WORKING DIRECTION** Single directional or Bi-directional is optional.
- **AUTOMATIC RESET** The swing arms will lock automatically within 5s (adjustable) if a person delay to access.
- **ANTI-COLLISION** When the gates instantaneously encounter an impulse force that is beyond the safety range, the arm will automatic reset in place. The mechanism will not be damaged at all.
- **ANTI-PASS BACK** The gate will stay in lock if someone wants to entry in the reverse direction.
- **ANTI-TRAILING** The gate will alarm if more than one person passby without permission.
- **ANTI-INTRUSION** The gate is locked automatically until a valid open signal is sent. When there is a valid signal, the gate will unlock within 0.2s (adjustable) .



PASSING SPEED



PASSAGE FOR DISABLE



BI-DIRECTION



POWER SUPPLY

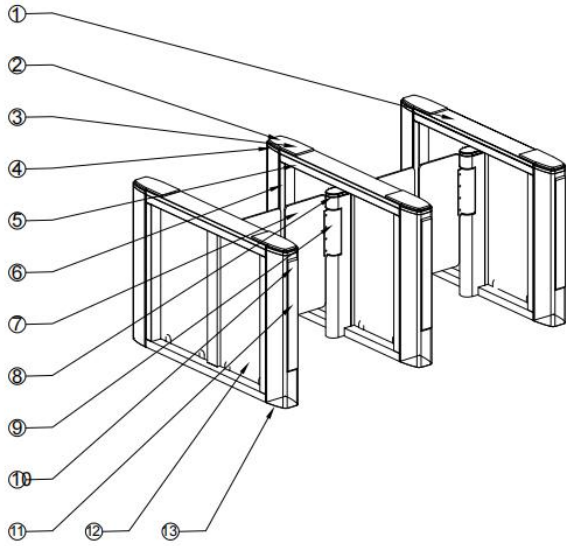


ANTI-TAILGATING

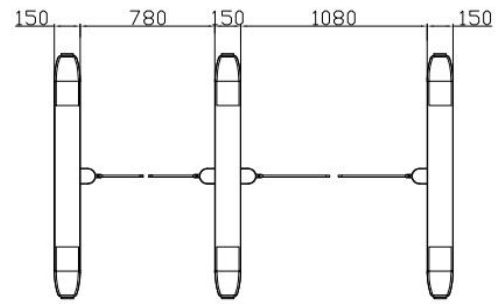
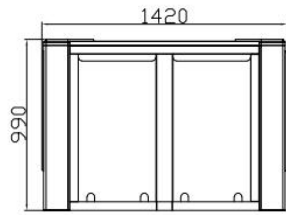


PROTECTIVE LEVEL

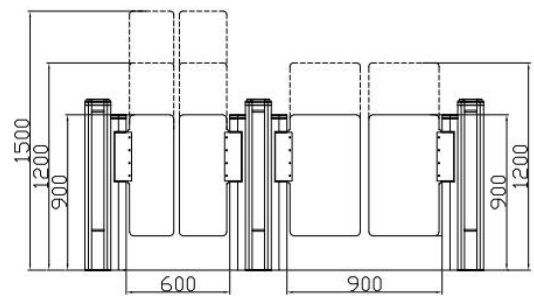
Dimensions



- ① Stainless Steel Top Lid
- ② Acrylic CARD Window
- ③ Direction Indicator
- ④ Lane Status Indicator
- ⑤ IR Sensor Cover
- ⑥ Framework
- ⑦ Acrylic Barrier
- ⑧ Lane Status Indicator
- ⑨ Speed Gate Mechanism
- ⑩ Swing Arm Chuck
- ⑪ Lane Status Indicator
- ⑫ Acrylic Side Panel
- ⑬ Position of Fixing Screw



**Lane width 600-900mm available.*

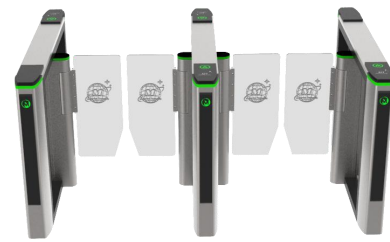


**Gate size and lane width can be customized to site dimensions.*

Lane combination



One lane



Two lanes



Three lanes



IMPROVED AESTHETICS

Aesthetics for Your Elevator

From rich textures to detailed materials our exclusive design heritage sets a new benchmark for every passenger. Every day with an almost unlimited design flexibility of more than 60,000 custom options, creating spaces for tomorrow.

Customization

The cutout for readers can be customized

Provide us with the dimensions of the card reader/scanner or other access control reader and we will customize the cutout according to its dimensions.



LED colors can be customized

Standard colors are blue, green and red. Only the following five colors are supported.



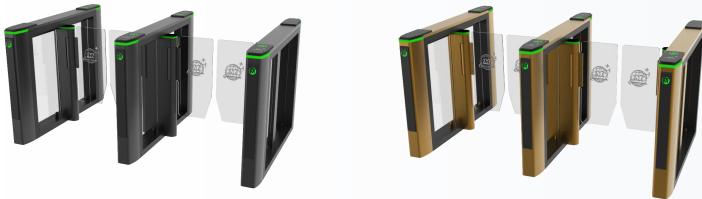
Customizable base plates

- Optional:
1. Mounting base (for above floor wiring)
 2. Removable base with wheels (for temporary events)



Chassis color can be customized

Supports paint coated or galvanized. RGB, RAL or Pantone number required.



LOGO can be customized

Logo can be printed on swing arm, acrylic decorative bar, swipe card window. AI or CRD files required.



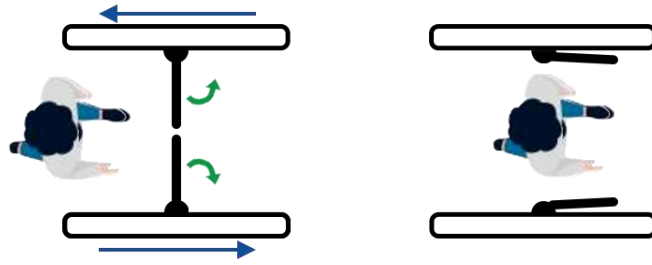
Other customizable options

- Gate dimensions: Can be customized according to the site.
- Material: 304 stainless steel to 316 stainless steel, or iron with powder coated (color can be customized).
- Swing arm material available in glass or acrylic.
- Lights and infrared sensors can be added.
- Swipe card icon can be cancelled.
- Customized 3D drawings are available based on the site photos.
- OEM&ODM service is available.

Emergency mode



Powered of equipment
with Super Capacitor Backup



In case of a power outage, swing arms are unlocked
and open automatically.

Access control system

Our gates come with relay signals and RS485/RS232 interfaces. You can use your own access control system, or we can provide a complete access control system to you.



Remote control



Face recognition



RFID card



Fingerprint recognition



QR code/ barcode



Coin/card collection



Counter



Button



www.mairsturnstile.com



+86 755 28714921



info@mairsturnstile.com