

M Series Turnstile



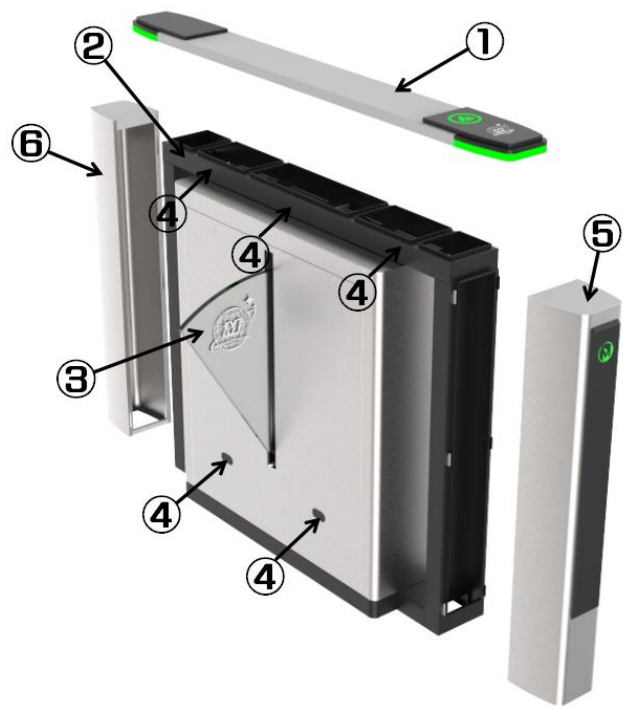
M series flap turnstile MF100

Skeleton structure: more secure

Chassis: a snap-fastener structure, easy to install

Top Lid: hidden screw, more stable and higher security

- ① Top cover
- ② Framework
- ③ Acrylic flap arm
- ④ IR sensors (5 pairs)
- ⑤ Front post
- ⑥ Rear post



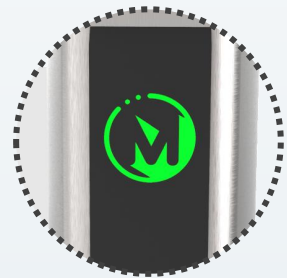
M Series Logo
Support customization



M Series Direction Indicator
M Series Swipe Card Logo



Framework structure,
more sturdy



Lane Status Indicator



Outside fixing holes
for easy installation



Snap-in design for
easy installation



Technical Specifications

Gate Dimension	1420*280*990mm (4.66*0.92*3.25ft) (standard)	
Gate Material	SUS304 and powder coated	
Swing arm Material	Acrylic swing with LED (standard)	
Passage Width	Standard	600mm (1.97ft)
	Optional	900mm (2.95ft)
Power Supply	100V-240V, 50/60Hz	
Operational voltage	Standard	24V/20W 10K
	For widen flap arms	24V/20~60W 50K
Voltage of indicator lamp	DC12V ±5% (standard)	
Mechanism	Standard	Full height mechanism with DC motor
	For widen flap arms	Full height mechanism with Brush motor
MCBF	5,000,000 Cycles	
Passage direction	Unidirectional/Bi-directional	
IR sensor	6 pairs	
Open Signal	Passive Relay (Dry Contact)	
Communication	RS232(standard)/RS485	
Passing speed	35 persons/min	
Working Temperature	-15 °C - 60 °C	
Working Environment	Indoor	

Feature

- **LED ALERTS** Indicate traffic direction with highly-visible blue, green and red. The front LED will keep blue shows that the lane is available. If the lane is not available, it can modify to be red.
- **LANE STATUS LED** If the access is granted, the LED will be in green. In standby, the LED is blue. If denied access, the LED flash red.
- **ALARM FUNCTION** Infrared sensor alarm function, in case of illegal intrusion and reverse intrusion.
- **EMERGENCY EXIT** The function allows free passage in the event of an emergency or power outage, automatic reset when power is restored.
- **WORKING DIRECTION** Single directional or Bi-directional is optional.
- **AUTOMATIC RESET** The flap arms will lock automatically within 5s (adjustable) if a person delay to access.
- **ANTI-PASS BACK** The gate will stay in lock if someone wants to entry in the reverse direction.
- **ANTI-TRAILING** The gate will alarm if more than one person passby without permission.
- **ANTI-INTRUSION** The gate is locked automatically until a valid open signal is sent. When there is a valid signal, the gate will unlock within 0.2s (adjustable) .
- **HIGH MECHANISM** Full height mechanism, running smoothly and stable
- **ALARM FUNCTION** Infrared sensor alarm function, in case of illegal intrusion and reverse intrusion.



PASSING SPEED



PASSAGE FOR DISABLE



BI-DIRECTION



POWER SUPPLY

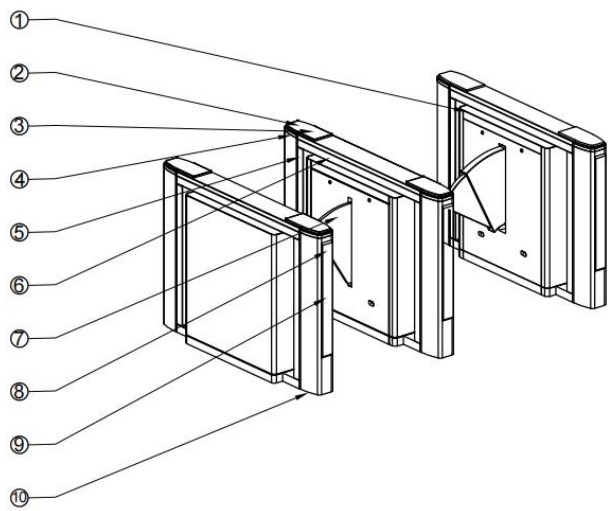


ANTI-TAILGATING

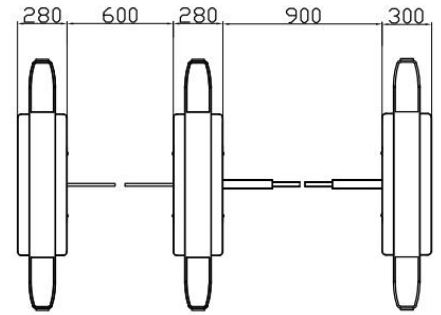


PROTECTIVE LEVEL

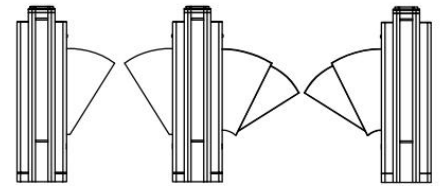
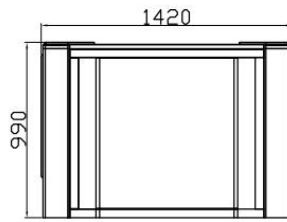
Dimensions



- ① Stainless Steel Top Lid
- ② Acrylic CARD Window
- ③ Direction Indicator
- ④ Lane Status Indicator
- ⑤ Framework
- ⑥ IR Sensor Cover
- ⑦ Acrylic Flap Arm
- ⑧ Lane Status Indicator
- ⑨ Acrylic Decorative Bar
- ⑩ Position of Fixing Screw



**Lane width 600-900mm available.*



**Gate size and lane width can be customized to site dimensions.*

Lane combination



One lane



Two lanes



Three lanes



Customization

The cutout for readers can be customized

Provide us with the dimensions of the card reader/scanner or other access control reader and we will customize the cutout according to its dimensions.



Optional dual-layer retractable flap arms

Passage width up to 900mm (for wheelchairs and luggages)



Blue PU

Red PU

Transparent acrylic

LOGO can be customized

Logo can be printed on swing arm, acrylic decorative bar, swipe card window. AI or CRD files required.



LED colors can be customized

Standard colors are blue, green and red. The following five colors are available.



Blue

Green

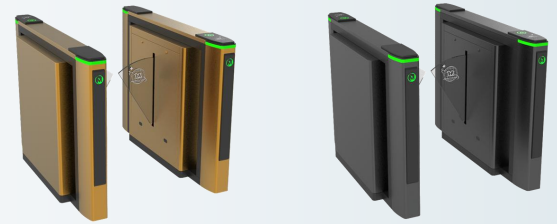
Red

Purple

White

Chassis color can be customized

Supports paint coated or galvanized. RGB, RAL or Pantone number required.



Black



Gray



Green



Blue

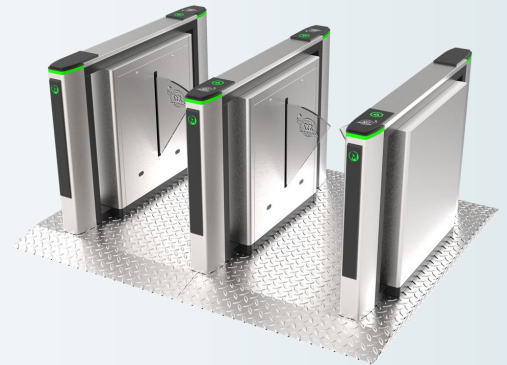


Red

Customizable base plates

Optional:

1. Mounting base (for above floor wiring)
2. Removable base with wheels (for temporary events)



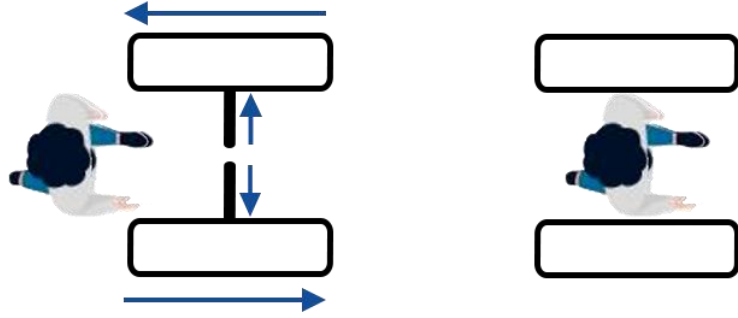
Other customizable options

- Gate dimensions: Can be customized according to the site.
- Material: 304 stainless steel to 316 stainless steel, or iron with powder coated (color can be customized).
- Flap arm material available in acrylic or PU.
- Lights and infrared sensors can be added.
- Swipe card icon can be cancelled.
- Customized 3D drawings are available based on the site photos.
- OEM&ODM service is available.

Emergency mode



Powered of equipment
with Super Capacitor Backup



In case of a power outage, swing arms are unlocked
and open automatically.

Access control system

Our gates come with relay signals and RS485/RS232 interfaces. You can use your own access control system, or we can provide a complete access control system to you.



Remote control



Face recognition



RFID card



Fingerprint recognition



QR code/ barcode



Coin/card collection



Counter



Button



www.mairsturnstile.com



+86 755 28714921



info@mairsturnstile.com